

Call Board

Volume 64 Issue 8

April 2024

Call Board – April 2024

Superintendent's Report for April 2024

Spring is here and the flowers at my house are already blooming. I hope everyone had a good Easter and the bunny brought a lot of candy for your kids (grand kids). But now it is time to get back to work as we approach that part of the year when we have some great activities. As you read this we are less than a week from our annual Model Railroad Training Day, 6 April, at Carillon Park.” We have a large number of events planned that will keep us all busy. My thanks to all of you that have volunteered to help us make this the best Training Day yet. Special thanks to Gail Yarnall for heading up the event, getting everything organized. We always need a lot of help, especially setting and tearing down the various clinics and exhibits as our time before and after the event is limited due to other Carillon Park activities. Please let Gail know if you can help out. This is one of the most important events we hold each year.

Our bi-annual election of officers is coming up in April. The ballots have been mailed out and must be returned to the division by or at the next division meeting, April 21st. Please vote.

As I wrote last month, Rail Fest is scheduled for June 22-23 at Carillon Park. Rail Fest is another one of those events where we have the opportunity to meet and engage with the community, a crucial element of membership recruiting. There is always the need for some extra help. Please contact Rick Lach, the event leader, if you can help.

The contest for April is Locomotives (any type). I know every one has at least one, no matter what the gauge, so get one out that you are proud of, dust it off and bring it to the meeting. Show off some of your skills. Remember, everyone is a winner when you share your enjoyment of modeling. The contest in

May will be Passenger Cars. June's contest will be Railroad Structures.

Mike Mereness, the Programs Chairman, is still out with a bad case of the shingles. I have asked Rick Lach to take on the program activities until Mike is able to return. The division will have to help present some clinics at meetings, etc. Chris Stilson has agreed to provide a presentation in April on Traction Railroading and Jim Foster has moved his June clinic to May. So we still need a presenter for the June meeting. If you are willing and able to provide a presentation on a railroad theme, please let Gordon Carlson or me know as soon as possible so that you will have as much time to prepare as possible and we can schedule you for a meeting.

As I stated in last month's report, I think it is time to get back to coming to meetings. Please make an effort to either attend the meetings in-person or via Zoom, if you can't make the in-person meeting. We still have a need for volunteers to assist in setting up the general meeting Zoom presentations. Please notify Gail, Dana or me as if you can help.

By the way, Division 6 is offering a 41-foot gondola decorated for the Buckeye Steel Castings Co., in Columbus, OH. It is colored red oxide and they can offer several numbers. I bought one and we have posted a photo in the Call Board along with a link to the web site. Take a look.

Lastly, don't forget the convention, “North Coast limited” in Cleveland, May 16-19. Attending a convention, if you have never done it, is a great experience. Division 4 is the host. Details are available at <https://northcoastlimited2024.org>.

See you all at Training Day and the Division Meeting, April 21st.

Division 3 Website: www.modelraildayton.com

TRAINing DAY! COMING SOON!

(Gail Yarnall)

There are just a few weeks until our 2024 TRAINing Day on April 6 in the same area of the Carillon Park Kettering Building as before. We will have the kid's build, the Scout training, and many exhibits. Our members and friends have really come through this year with some wonderful clinics that you don't want to miss. If you have never worked TRAINing Day, you are really missing something. This event is more fun than a yard full of trains with cars full of monkeys. We could still use some floor walkers and 'table sitters.' We could also use some help setting up on Friday and tearing down Saturday after the event. We will bring the TRAINing Day set-up items to the Carillon, probably mid-afternoon: exact time coming from the Carillon.

TRAINing Day is totally free as it is just before the entrance to the park in the Kettering Building. Entering the park is still a paid admission. Set up is on Friday April 5, (time tbd) and 7:30am to 9:00am on April 6. The event runs 9am to 4pm on April 6. Food is available on the grounds. If you would like more information, contact me at NMRA.Div.3@gmail.com. You can also text or call me at 937-424-6413. Note that it takes longer to get back to you if you call. We will have flyers at our meetings and they will be at local train shows as well. Or I can email you a copy.

This is a very important event for us. We hope to see you there!

General Meeting Zoom (Gail Yarnall)

Our Zoom is progressing. There is some great support available for this area. The Mid-Central Region has a *groups-io* interactive web group that is very supportive and helpful. Zoom also has continuing classes on all aspects of its use as well as a support division.

We still need a variety of help with the production. We need someone who has computer expertise and who can do updates and other maintenance on the Zoom computers. We also need backups (ie: assistant/-co) for the Zoom operator as well as the sound/clinic coordinator (since people can become ill or have conflicts). Finally, someone who has the skills to finesse the platform needs would be a big help. Don't let it sound overwhelming. It is very interesting.

~~~

## Dayton Train Show 2024 (Gail Yarnall)

April is the month we begin to work in earnest on this year's train show (after TRAINing Day). We have Vendor openings still available, and we may have a few surprises, not only for attendees & those who set up at the show, but also for our members. If you would like to help, please let us know. We need the usual volunteers. At some point we will be calling to see who is available (after TRAINing Day). We hope you can help with this worthy event.

### Division Ballot Correction

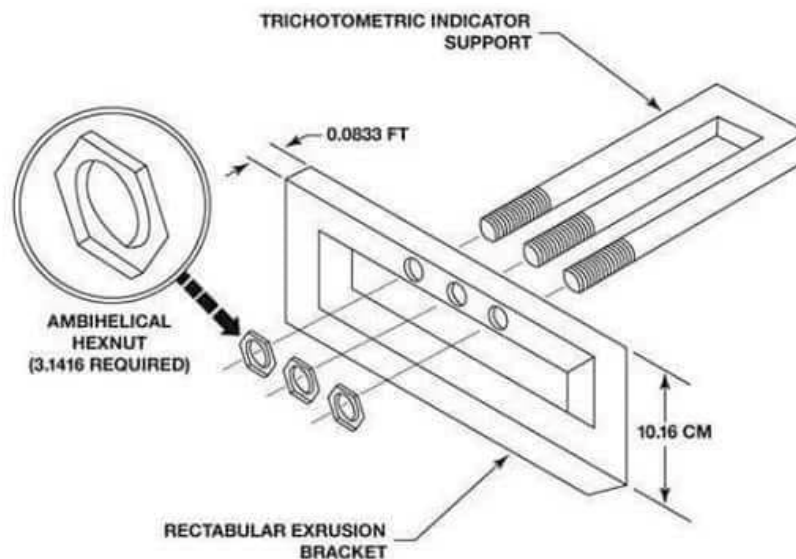
The following line in the 2024 ballot:

All ballots must be received by the Teller by 2:15 PM on 24 April 2022.

Should read:

All ballots must be received by the Teller by 2:15 PM on 24 April 2024.

### April Scratch Building Contest Bring your model to the April Meeting



Division 6 of the NMRA Mid-Central Region is currently offering a 41' gondola lettered for Buckeye Steel Castings.

Buckeye Steel was a large steel foundry located in Columbus, Ohio. They produced castings of numerous railroad components, including trucks, couplers and, the famous "Buckeye Truck." These gondolas moved scrap as well as finished products. Interchange partners included C&O and NYC, both railroads having trackage leading into the plant complex.

These car kits are from Accurail's 3700-series of steel gondolas with road number 23. Decals for six other road numbers are available for those ordering more than one car.

Pricing is \$27 per car. Shipping (via USPS Priority) is \$10 for one car and \$17 for two to three cars. Ohio

residents, please add 7.5% sales tax on the total price of the kits and the shipping/handling fee. Customers outside the USA, please contact us for shipping arrangements and charges.

For more details or to contact us, visit our Division's Store at <https://div6-mcr-nmra.org/StorePage.html>



## Contests

We have a category with three classes each month. They are: Scratch Built, Kit Bashed or just plain Kit Built. You may enter anything you are proud of and at any skill level. Judging is by popular vote. If you want to have your model judged to NMRA standards for the Achievement Program please contact Rick Lach.

### The coming contest schedule ...

#### April - Motive Power (Diesel, Steam, Electric)

- January - Open Loads
- February - Non-Revenue Cars
- March - Freight Cars
- April - Motive Power (Diesel, Steam, Electric)
- May - Passenger Equipment
- June - Railroad Owned Structures
- July - No Contest
- August - No Contest
- September - Freight Cars
- October - Caboose
- November - Weathering
- December - Non Railroad Structures

## Live Contest

Deadline for entries is 2 pm Sunday, 21 April 2024 at the Greene County Historical Society, Xenia, Ohio.

### Results

#### March - Freight Cars

##### Kit Built

- 1st Jack Honeycutt
- 2nd Jack Honeycutt  
Chris Stilson
- 3rd Jack Honeycutt

##### Kit Bashed

- 1st Ric Zimmerman
- 2nd Ric Zimmerman

##### Scratch Built

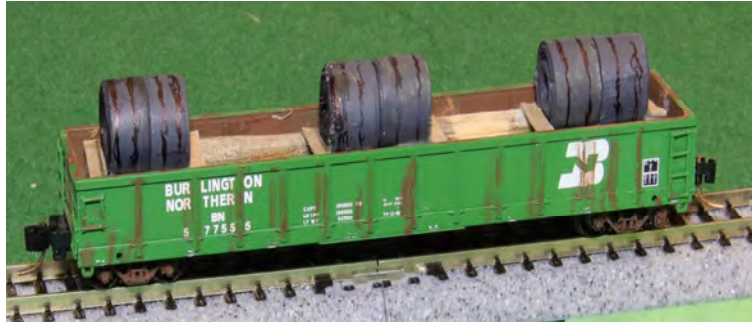
- 1st Jom Foster

##### Photos

- 1st, 2nd, 3rd Paul Jenkins



Scratch Built—1st Jim Foster



Kit Built—1st Jack Honeycutt



Kit Built—2nd Jack Honeycutt



Kit Built—2nd Chris Stilson



Kit Built—3rd Jack Honeycutt



Kit Bashed-1st Ric Zimmerman



Kit Bashed-2nd Ric Zimmerman

A.A.A.D.D.- KNOW THE SYMPTOMS!

Thank goodness there's a name for this disorder.  
Age-Activated Attention Deficit Disorder.

~~~~~  
This is how it manifests:
I decide to water my garden.
As I turn on the hose in the driveway,
I look over at my car and decide it needs washing.
As I start toward the garage,
I notice mail on the porch table that
I brought up from the mail box earlier.
I decide to go through the mail before I wash the car.
I lay my car keys on the table,
Put the junk mail in the garbage can under the table,
And notice that the can is full.
So, I decide to put the bills back
On the table and take out the garbage first...
But then I think,
Since I'm going to be near the mailbox
When I take out the garbage anyway,
I may as well pay the bills first.
I take my check book off the table,
And see that there is only one check left.
My extra checks are in my desk in the study,
So I go inside the house to my desk where
I find the can of Pepsi I'd been drinking.
I'm going to look for my checks,
But first I need to push the Pepsi aside
So that I don't accidentally knock it over.
The Pepsi is getting warm,
And I decide to put it in the refrigerator to keep it cold.
As I head toward the kitchen with the Pepsi,
A vase of flowers on the counter
Catches my eye--they need water.

I put the Pepsi on the counter and
Discover my reading glasses that
I've been searching for all morning.
I decide I better put them back on my desk,
But first I'm going to water the flowers.
I set the glasses back down on the counter ,
Fill a container with water and suddenly spot the TV remote.
Someone left it on the kitchen table.
I realize that tonight when we go to watch TV,
I'll be looking for the remote,
But I won't remember that it's on the kitchen table,
So I decide to put it back in the den where it belongs,
But first I'll water the flowers.
I pour some water in the flowers,
But quite a bit of it spills on the floor.
So, I set the remote back on the table,
Get some towels and wipe up the spill.
Then, I head down the hall trying to
Remember what I was planning to do.
At the end of the day:
The car isn't washed,
The bills aren't paid,
There is a warm can of
Pepsi sitting on the counter,
The flowers don't have enough water,
There is still only 1 check in my check book,
I can't find the remote,
I can't find my glasses,
And I don't remember what I did with the car keys.
Then, when I try to figure out why nothing got done today,
I'm really baffled because I know I was busy all day,
And I'm really tired.
I realize this is a serious problem,
And I'll try to get some help for it, but first I'll check my e-mail

Photo of the DS&U power plant in Medway, OH. From the Medway Area Historical Society Facebook page.



Board of Governors

The Board of Governors usually meets the first Monday of the month to conduct the business of the Division. Meetings will be conducted online until further notice. Any member may attend and participate in the meeting. Please contact a board member to verify date and time.

Board of Governors
<p>Superintendent Eric Zimmerman ezrails@att.net</p>
<p>Assistant Superintendent Gordon Carlson gorhenca@gmail.com</p>
<p>Chief Clerk Dana Yarnall dyarnall462@gmail.com</p>
<p>Past Superintendent Mark Stiver mstiver@woh.rr.com</p>
<p>Membership Chairman Wil Davis wdavis5069@gmail.com</p>
<p>Call Board Editor J. Hedge hedgejn@hotmail.com</p>
<p>Member at Large Ed Durkin</p>

Official Division Contact

Division 3, MCR, NMRA Inc
PO Box 341233
Dayton, OH 45434-1233

Division Cell Phone:
937-424-6413
Leave a message

Email:
NMRA.DIV.3@gmail.com
NMRA.MCR.Div3@gmail.com

The *Call Board* is the official publication of Division 3, Mid Central Region, National Model Railroad Association. It is published monthly except in August. All comments and opinions are welcome. Those views expressed in the *Call Board* do not necessarily reflect the policies or opinions of the NMRA, the Mid Central Region or Division 3.



April 2024

Next Crew Call	
When:	April 21, 2pm
Where:	Greene County Historical Society 74 Church St Xenia, Ohio
Program:	Traction Railroading Chris Stilson
Contest:	April - Motive Power (Diesel, Steam, Electric)
Visitors and Guests Always Welcome	